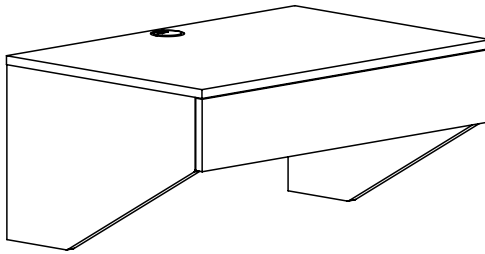




---

## White Wall Mounted Desk with Drawer

### Instruction Manual



**SKU: DESK-SF01W**



Scan the QR code with your mobile device or follow the link for helpful videos and specifications related to this product.

<https://vivo-us.com/products/desk-sf01w>

---

**GET IN TOUCH** | Monday-Friday from 7:00am-7:00pm CST



help@vivo-us.com



www.vivo-us.com  
*Chat live with an agent!*

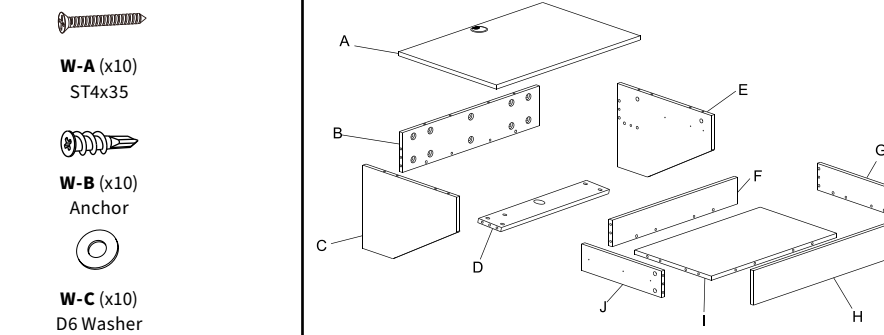
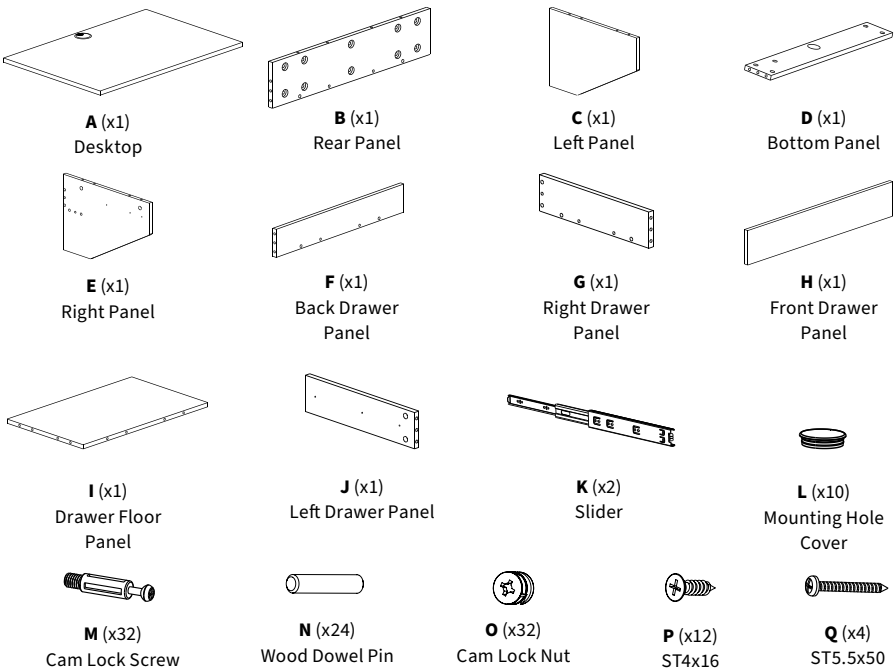


309-278-5303

## WARNING!

If you do not understand these directions, or if you have any doubts about the safety of the installation, please call a qualified technician. Check carefully to make sure there are no missing or defective parts. Improper installation may cause damage or serious injury. Do not use this product for any purpose that is not explicitly specified in this manual. Do not exceed weight capacity. We cannot be liable for damage or injury caused by improper mounting, incorrect assembly or inappropriate use.

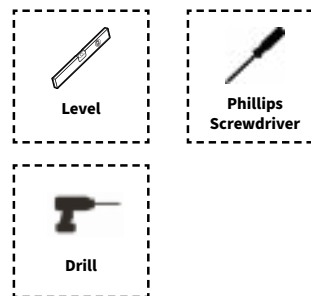
## PACKAGE CONTENTS



## CAUTION!

DO NOT INSTALL INTO DRYWALL ALONE. VERIFY YOUR WALL CONSTRUCTION. USE WOOD STUDS TO MOUNT. We include mounting hardware for brick and concrete walls. If unsure, please contact us at [vivo-us.com](http://vivo-us.com), email at [help@vivo-us.com](mailto:help@vivo-us.com), or call us at 309-278-5303.

## TOOLS NEEDED



DO NOT EXCEED WEIGHT CAPACITY.  
 Failure to do so may result in serious injury.



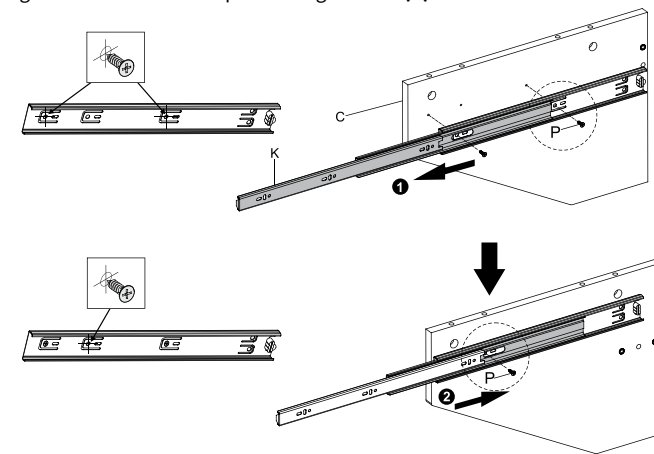
## WARNING: CHOKING HAZARD

SMALL PARTS - NOT FOR CHILDREN UNDER 3 YEARS.  
 ADULT SUPERVISION IS REQUIRED.

## ASSEMBLY STEPS

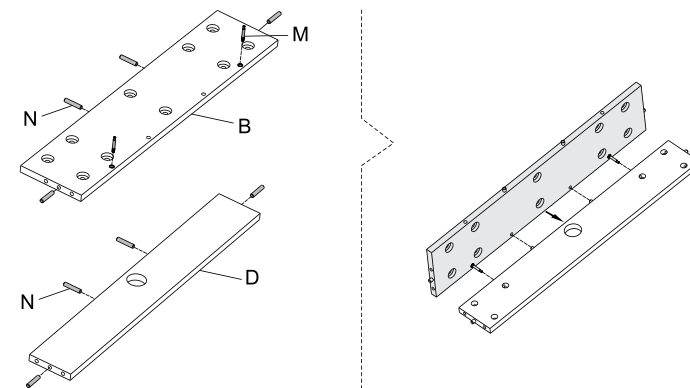
### STEP 1

Pull open Slider (**K**), then attach Slider to Left Panel (**C**) using x2 Screws (**P**), making sure the arrow is pointing towards the front. Repeat for Right Panel (**E**).



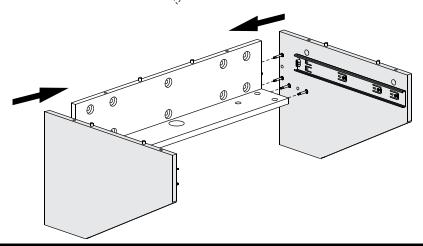
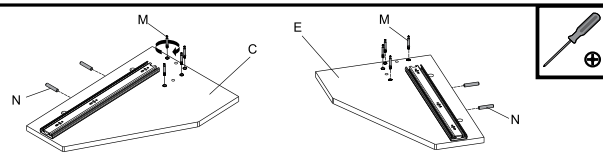
### STEP 2

Insert x2 Cam Lock Screws (**M**) into front of Rear Panel (**B**) as shown. Insert x4 Wood Dowel Pins (**N**) into top and sides of Rear Panel, and x4 Pins into rear and sides of Bottom Panel (**D**). Assemble Rear Panel to Bottom Panel.



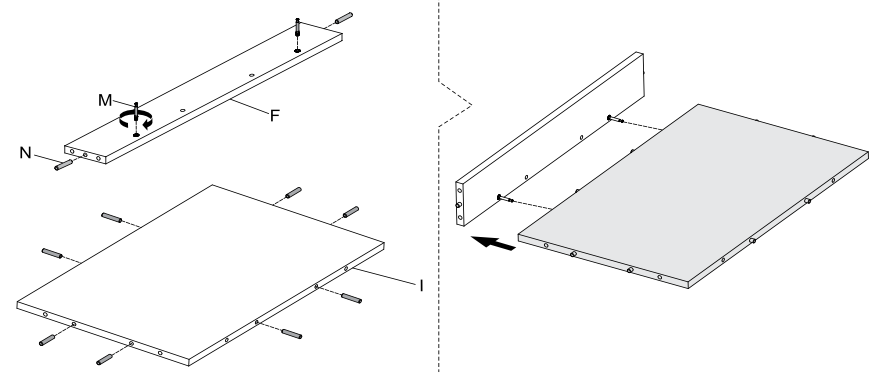
### STEP 3

Insert x4 Cam Lock Screws (**M**) into Left Panel (**C**), and x2 Wood Dowel Pins (**N**) into top of Left Panel. Repeat for Right Panel (**E**). Assemble Left and Right Panels to previously assembled Rear and Bottom Panels (**B, D**).



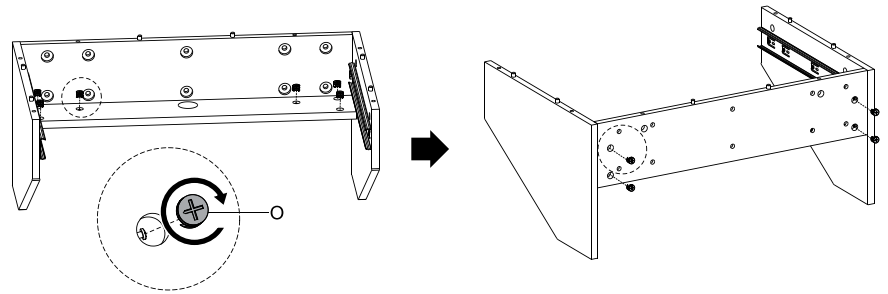
### STEP 7

Insert x2 Cam Lock Screws (**M**) into front of Back Drawer Panel (**F**). Insert x2 Wood Dowel Pins (**N**) into sides of Back Drawer Panel (**F**), and x6 Wood Dowel Pins (**N**) into edges of Floor Panel (**I**). Assemble Rear Drawer Panel to the Floor Panel.



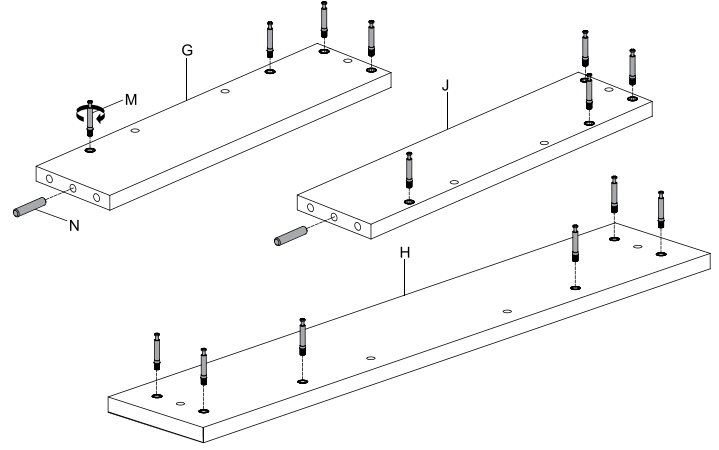
### STEP 4

Insert x6 Cam Lock Nuts (**O**) into top of Bottom Panel (**D**) and x4 Nuts into back of Rear Panel (**B**). Turn all Nuts clockwise using a Phillips screwdriver to lock Panels together.



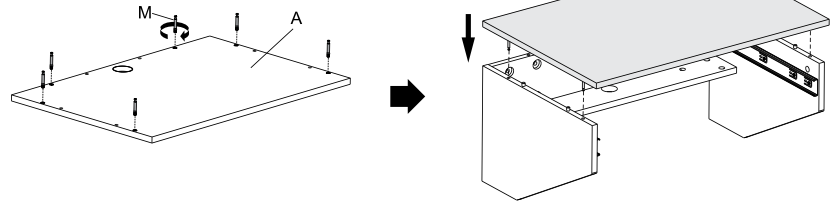
### STEP 8

Insert x4 Cam Lock Screws (**M**) and x1 Wood Dowel Pin (**N**) into Right Drawer Panel (**G**). Repeat for Left Drawer Panel (**J**). Insert x6 Cam Lock Screws into Front Drawer Panel (**H**).



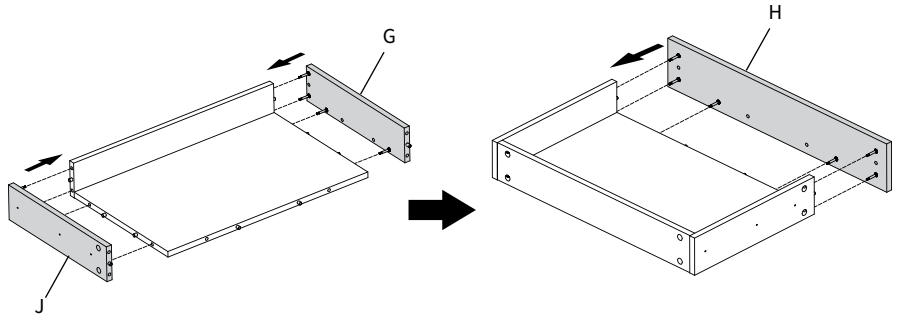
### STEP 5

Insert x6 Cam Lock Screws (**M**) into bottom of Desktop (**A**). Place Desktop onto frame assembly.



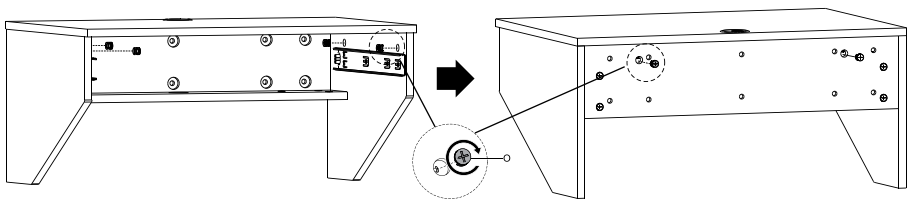
### STEP 9

Assemble the Right and left Drawer Panels (**G, J**) to the Rear and Floor Panel assembly as shown below. Assemble the Front Drawer Panel (**H**) to the drawer assembly.



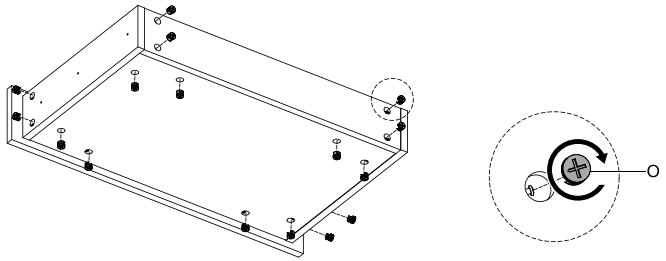
### STEP 6

Insert x2 Cam Lock Nuts (**O**) into Left Panel (**C**), x2 Nuts into Right Panel (**E**), and x2 Nuts into Rear Panel (**B**). Turn all Nuts clockwise using a Phillips screwdriver to secure Desktop (**A**).



**STEP 10**

Insert Cam Lock Nuts (**O**) into all of the drawer panels shown below. Turn all Nuts clockwise using a Phillips screwdriver to lock Panels together.



**STEP 11**

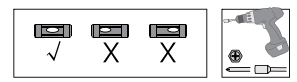
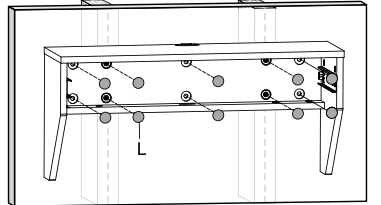
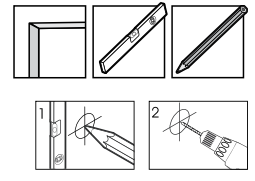
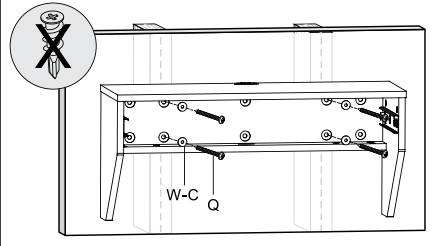
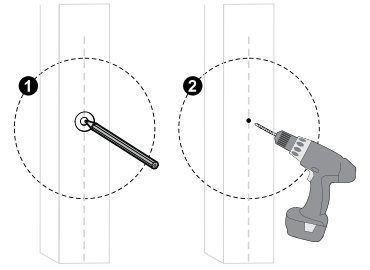
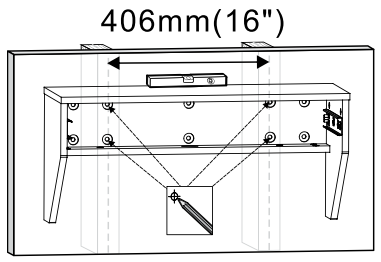
Determine desired location of desk on wall. Use a stud finder to determine if any vertical set of holes can be mounted into a wood stud or not. With the help of a partner, hold desk against wall and mark (10X) mounting locations through Rear Panel (**B**). Use of a level is recommended. Then proceed to Options A or B below.



**Note:** This desk is designed to mount securely in drywall only. However, it is still recommended to install at least one set of vertical mounting points in a wood stud. Two sets of mounting points are spaced 16" apart for the most secure mounting option (Option A below).

**Option A: Wood Stud Installation Only**

For all locations that line up with a stud, drill 1.75" (45mm) deep holes using a 1/8" (3mm) bit. If attaching desk with the 4X locations for wood studs, mount desk to wall using (4X) ST5.5x50mm screws (**Q**) with (4X) washers (**W-C**). Install mounting hole covers (**L**) over all holes on rear panel (**B**).



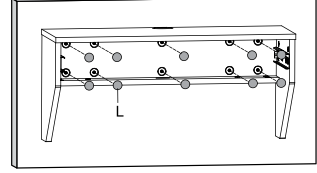
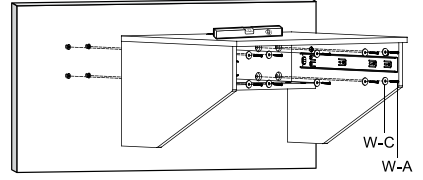
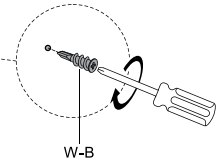
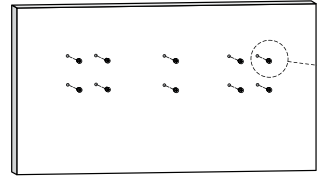
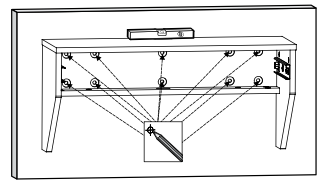
**STEP 11 (Continued)**

**Option B: Drywall Installation**



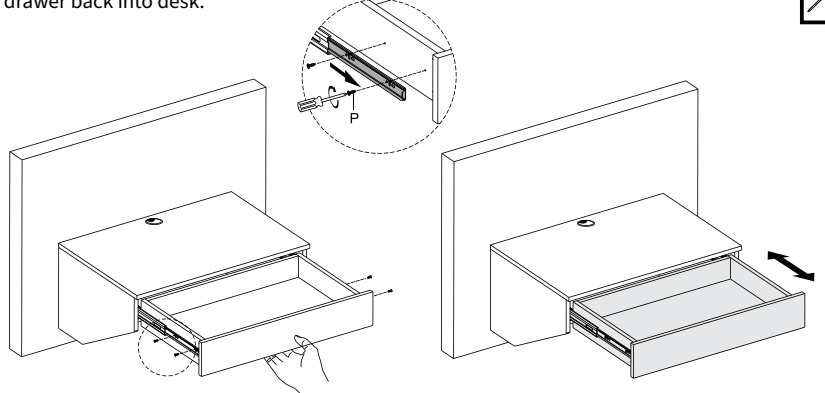
For all locations that do not line up with a stud, insert self-tapping drywall anchors (**W-B**) using phillips screwdriver. If attaching desk with the 10X locations in drywall, mount desk to wall using (10X) ST4x35mm screws (**W-A**) with (10X) washers (**W-C**). Install mounting hole covers (**L**) over all holes on rear panel (**B**).

**Note:** If attaching desk with 2X locations in wood stud, refer to Option A for wood stud drilling instructions. The remaining 6X mounting points should still be installed in drywall.



**STEP 12**

Pull Sliders (**K**) all the way forward. Secure assembled drawer to Sliders using x4 Screws (**P**). Push drawer back into desk.





Love your new VIVO setup and want to share?  
Tag us in your photo! **@vivo\_us**

LAST UPDATED: 09/25/2020  
REV1.1



Open **Monday - Friday 7:00am - 7:00pm** CST,  
our dedicated support team can offer immediate assistance with rapid response times. If any parts are received damaged or defective, please contact us. We are happy to replace parts to ensure you have a fully functioning product.



309-278-5303

**AVG. RESOLUTION TIME** (*within office hrs*): **5M 4S**



[www.vivo-us.com](http://www.vivo-us.com)  
*Chat live with an agent!*

**AVG. RESOLUTION TIME** (*within office hrs*): **< 15 M**



[help@vivo-us.com](mailto:help@vivo-us.com)

**AVG. RESPONSE TIME** (*within office hrs*): **1HR 8M**

- 23% within < 15m
- 38% within < 30m
- 61% within < 1hr
- 83% within < 2hr
- 92% within < 3hr

FOR MORE VIVO PRODUCTS, CHECK OUT OUR WEBSITE AT: [www.vivo-us.com](http://www.vivo-us.com)